



THE POWER PEDESTAL COMPANY

Small in size. **BIG** in features.



EnergyMate®

MARINA
RV PARK
BUSINESS
HOME

EnergyMate® is the simple and affordable solution for marinas, RV campgrounds and home. Its compact size is ideal for any location and delivers power with a capacity of 120 amperes where you need it. Just like its big brother — PowerPort® — the EnergyMate® is built to last featuring PowerSnap® panel technology to save you time and money.



PowerSnap® Panels

PowerSnap is an industry exclusive that allows you to change out receptacles and breakers just by snapping a panel in and out — saving time while allowing you to keep customers happy with little or no downtime. It's as easy as removing four screws, pulling the panel, setting a new panel in place and reattaching. No more replacing a pedestal, rewiring on property or breaking the pedestal down for annual maintenance inspections like traditional pedestals. Most electrical parts are standard and can be bought locally; no special sized breakers, light bars, etc.

HydroLocker and EnergyMate

Create a utility center with EnergyMate® and HydroLocker. By mounting EnergyMate® to the front of a HydroLocker, you can create a space-saving solution for your boat slip, power and storage all-in-one. Add even more value to your marina by adding your own weather utility in the HydroLocker's rear section — your customers will love it.



CUSTOMERS RAVE ABOUT HYPOWER

“I am very pleased with my HyPower EnergyMate power panel. It has been under water during two hurricanes and a Nor’easter. When the storms passed everything came apart easily to clean and reassemble. Even the breakers worked!

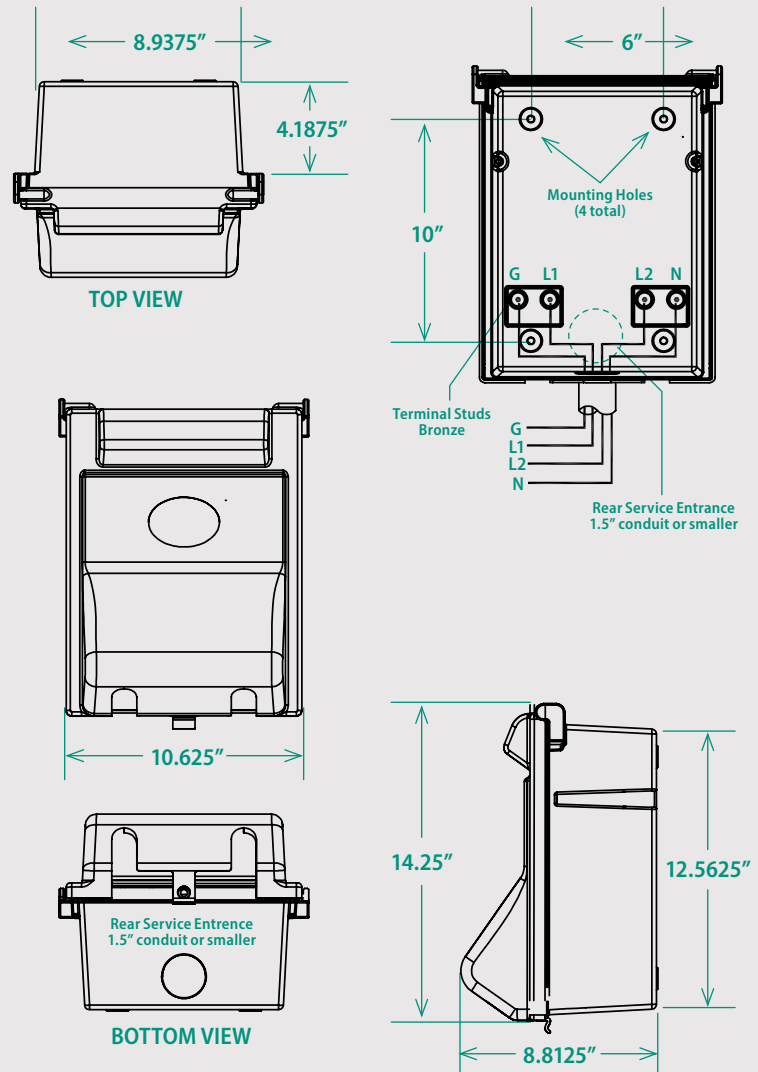
— PHIL R., SATISFIED CUSTOMER

STANDARD FEATURES

- Non-conductive polycarbonate injection molded body with UV protection
- Prewired with standard copper wire to 200 ampere with provided non-metallic separation of high-voltage and low-voltage
- Field wiring terminals to 2 AWG wire
- Lockable hinged door with padlock
- Photo-cell activated lighting with a 5W LED bulb and your choice of a clear or amber lens
- PowerSnap panels
- Receptacles and breakers to include 50A, 30A and 20A Marine/RV with matching breakers
- Brass connectors/stainless steel screws at all high stress points for stronger assembly
- UL certified, ADA compliant, and meets or exceeds all NEC and NFPA requirements

OPTIONS

- Mounting options — (1) Bracket mounting kit for mounting EnergyMate to a pole or pier (2) 42” powder coated heavy duty 6063 marine grade aluminum stand for dock/deck mounting
- Up to (2) 3/4” hose bibs with ADA compliant turn ball valves and brass backflow preventers on optional stands
- CATV and Internet/ CAT5 connectors
- Custom logos available
- Metering for both electric and water utilities (water only with optional stand)



PowerPedestal.com

1.800.825.3379 or 918.341.6811 | Fax: 918.341.1178

Email: sales@powerpedestal.com

Technical assistance: support@powerpedestal.com

915 West Blue Starr Drive ■ Claremore, OK 74017 USA